



ASSEMBLY INSTRUCTION

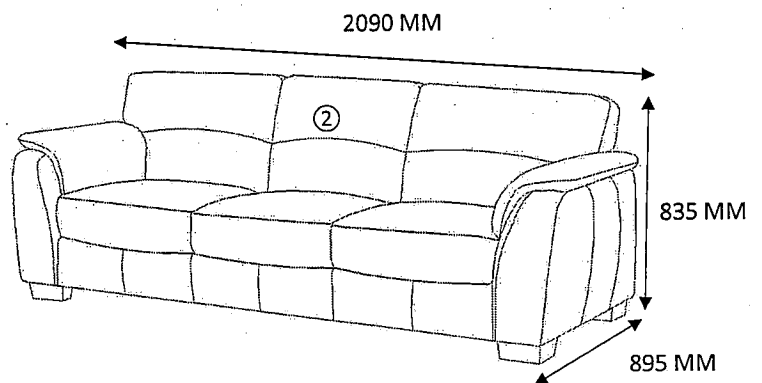
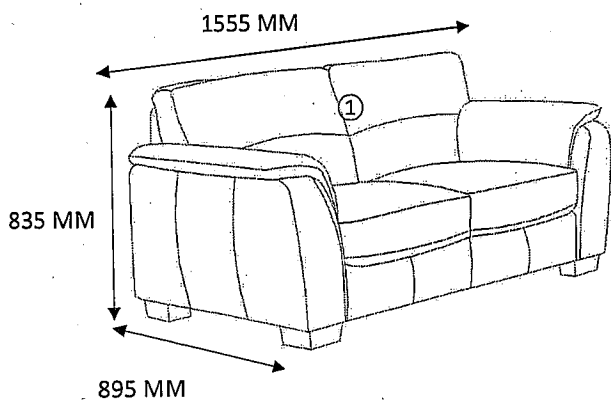
MARISSA 2 SEATER & 3 SEATER

ITEM CODE - 54848 / 54849

Imported by Super Amart Pty Ltd, Qld, Brisbane Australia.

For any assistance with assembly or for missing parts please

phone Super Amart Ewing Road, Customer Service Free call 1800 351 084



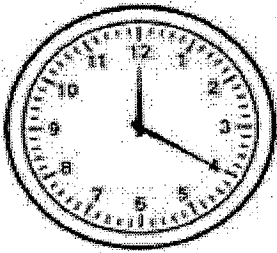
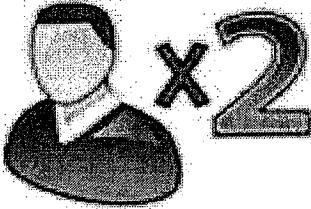
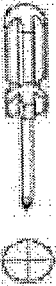
Imported by Super Amart Pty Ltd, Qld, Brisbane Australia.

For any assistance with assembly or for missing parts please phone Super Amart Ewing Road, Customer Service Free call 1800 351 084

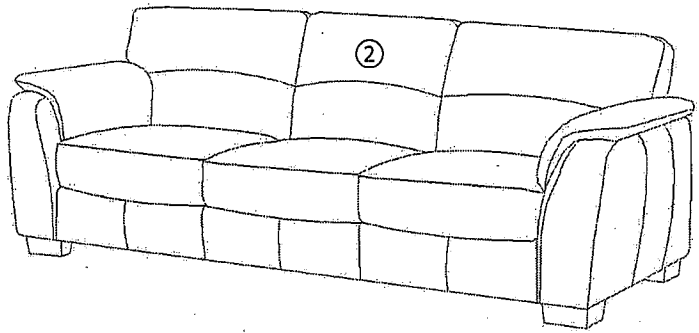
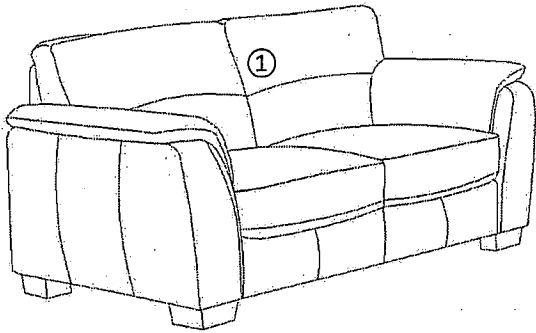
PRE-ASSEMBLY PREPARATION

BEFORE YOU START...





1. CHOOSE A CLEAN, LEVEL, SPACIOUS ASSEMBLY AREA. AVOID HARD SURFACES THAT MAY DAMAGE THE PRODUCT.
2. TAKE CARE WHEN LIFTING. PRODUCT SHOULD BE ASSEMBLED AS NEAR AS POSSIBLE TO THE POINT OF USE.
3. CHECK AND ENSURE THAT YOU HAVE ALL THE REQUIRED CONTENTS FOR COMPLETE ASSEMBLY.
4. ALWAYS READ THE ASSEMBLY INSTRUCTIONS CAREFULLY BEFORE BEGINNING ASSEMBLY.
5. THE PACKAGING AND CONTENTS CAN BE CHOKING HAZARDS, THEREFORE KEEP OUT OF REACH OF SMALL CHILDREN AT ALL TIMES.
6. DO NOT OVER TIGHTEN THE SCREWS AND BOLTS AS THIS MAY DAMAGE THE THREADS.

	
ALLOW 20 MINUTES	2 PEOPLE REQUIRED
	
ADDITIONAL TOOLS REQUIRED	





PARTS LIST



Hardware List (Pack 1)

NO.	DESCRIPTION	QTY
A	LEG 	4 PCS
B	HEX COM SCREW 	4 PCS
C	SUPPORT LEG 	1 PC
D	CHIPBOARD SCREW 	1 PC

Hardware List (Pack 2)

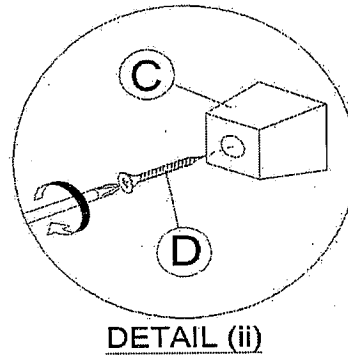
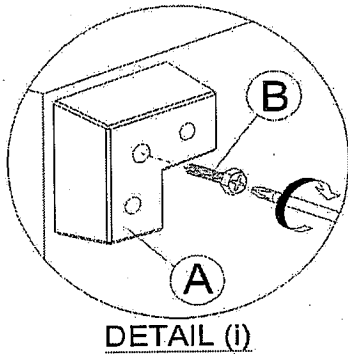
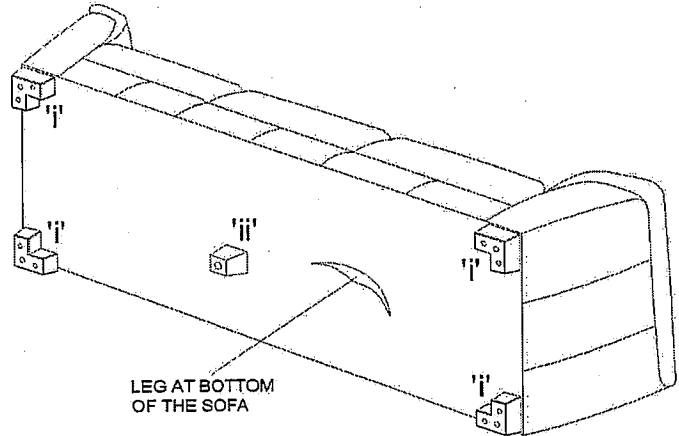
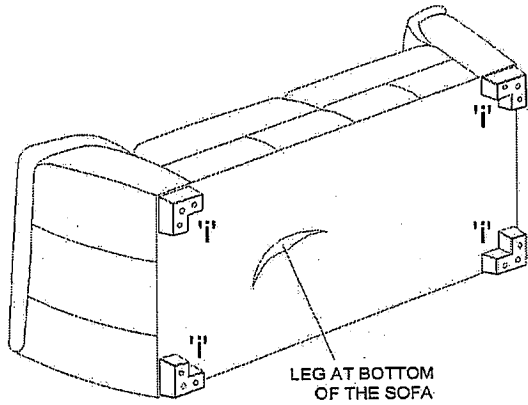
NO.	DESCRIPTION	QTY
A	LEG 	4 PCS
B	HEX COM SCREW 	4 PCS
C	SUPPORT LEG 	1 PC
D	CHIPBOARD SCREW 	1 PC

PLEASE TAKE NOTE: PIECES REQUIRE FOR ASSEMBLY ARE LOCATED INSIDE THE DUST COVER
UNDERNEATH SOFA

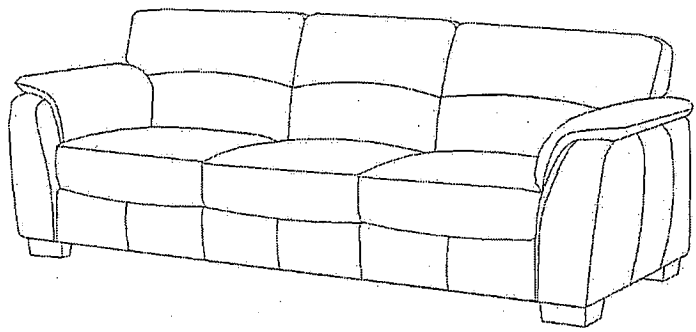
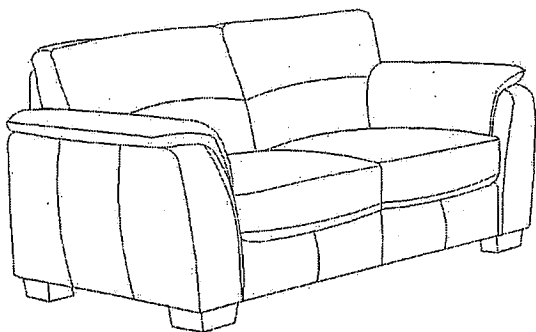
Step 1

DETAILS (i) - Align base plate of each foot (A) with the pre-threaded holes in the undersides of the sofa as shown in the below diagram. Insert Bolt (B) and tighten by turning clockwise using Screwdriver.

DETAILS (iii) - Align base plate of each foot (C) with the pre-threaded holes in the undersides of the sofa as shown in the below diagram. Insert Bolt (D) and tighten by turning clockwise using Screwdriver.



STEP2 ASSEMBLY COMPLETED



IMPORTANT: PLEASE ENSURE FEET ARE TIGHTENED SECURELY BEFORE USE!

CARE AND MAINTENANCE

LEATHER CARE (FRAME)

WHEN NECESSARY BRUSH OR VACUUM AWAY DUST AND GRIT. WIPE OVER WITH A SOFT, CLEAN, DYEFAST CLOTH.

FOR SPOTS AND SPILLS:

WIPE EXCESS LIQUID UP IMMEDIATELY WITH AN ABSORBANT CLOTH OR SPONGE.

FOR OVERALL CLEANING:

WE RECOMMEND CLEANING EVERY 3-4 MONTHS WITH

- LEATHER CLEANER FOLLOWED BY APPLICATIONS OF

- LEATHER PROTECTOR.

ALWAYS FOLLOW DIRECTIONS ON PACKS.

NOTES:

ACCUMULATION OF PERSPIRATION AND BODY OILS ON ARMPADS, HEADREST ECT. MAY DAMAGE YOUR LEATHER - THESE AREAS MAY REQUIRE MORE FREQUENT CLEANING.

DO NOT EXPOSE LEATHER TO DIRECT SUNLIGHT; INTENSIVE HEAT; WEATHER; OR SOAK UNNECESSARILY. ALWAYS AVOID EXCESSIVE HARD RUBBING.

DO NOT DRY CLEAN OR MACHINE WASH.

DO NOT USE SADDLE SOAP; DETERGENTS; SOLVENTS; ABRASIVES; UNIDENTIFIED LEATHER CLEANERS; SUEDE CLEANERS OR ANY PRODUCTS CONTAINING SILICON OR SOLVENTS.